

## A new product update from...dla

Kirlin introduces the most feature rich MR16 downlighting lineup in the industry.

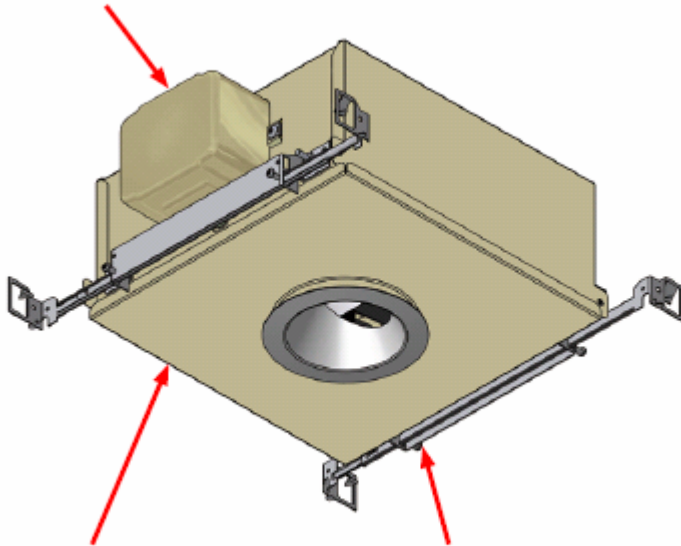


**1) Every Kirlin housing features all aluminum construction** (cooler operating for longer life....wet location standard....suitable for salt air and chlorinated environments).

**2) Deep drawn aluminum "Whisper Pack" extends transformer life and reduces noise** (transformer choices include magnetic, electronic and toroidal (Q-tran style).

#### EXTENDED TRANSFORMER LIFE

Three types of transformers are offered for the operation of low voltage MR16 lamps: electronic (standard), magnetic core-and-coil and magnetic toroidal. Each is contained in our exclusive WhisperPack™ design. WhisperPack™ utilizes a special encapsulation compound contained in a deep drawn seamless aluminum housing. Heat is conducted away from the transformer and dissipated over the entire surface area of the luminaire. Transformer operating temperatures are reduced 22% (or 21°C) leading to longer, maintenance-free life! Also, transformer sound levels are greatly reduced providing a truly quiet installation.



#### ALL ALUMINUM CONSTRUCTION

Enamelled 100% aluminum housing construction and all aluminum internal components provide rustproof, corrosion resistance and efficient heat dissipation for longer fixture and component life, especially heat sensitive lamp socket. Kirlin luminaires may be used with longevity in salt air and chlorinated pool vapor environments.

#### EASY INSTALLATION

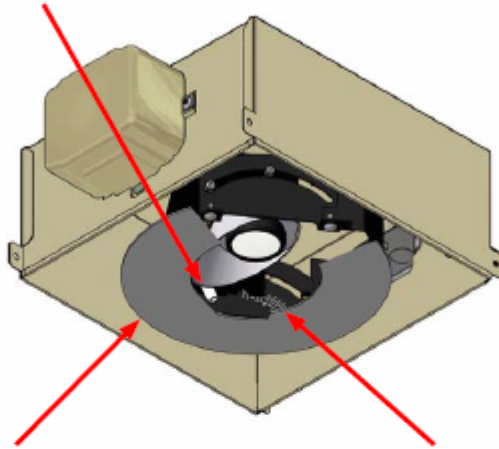
Versatile hanger bar design accommodates a wide range of commercial and residential ceiling types. Hanger bar vertical and horizontal adjustability, a shallow 6 1/2" housing depth and lightweight all aluminum housing construction greatly facilitates installation.

**3) Precise hot aiming, with center beam positioning** (visibly indexed from 0 - 45 degrees, aiming locked in place during re-lamping....lensed wall washer is also field adjustable).

#### 4) Black concealment shroud prevents view into fixture for cleaner appearance.

##### PRECISE AND SAFE HOT AIMING WITH CENTER BEAM OPTICS

Adjustment mechanism provides 0°-45° lamp adjustment in 1° increments with center beam positioning. An easily identified positioning actuator is hand or screwdriver manipulated. Pushed upward, the positioning actuator releases a tempered steel spring which permits smooth, continuous adjustment of the lamp.



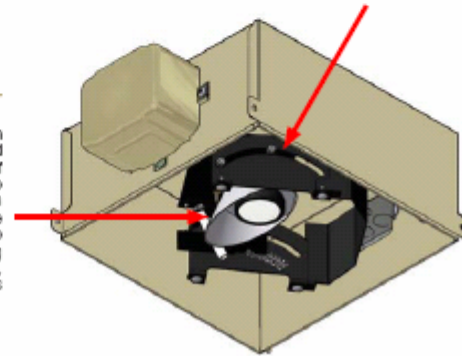
A rotation disk allows for full 365° lamp rotation. Two knurled locking fasteners maintain rotated disk position. Disk is indexed for quick, precise insertion of trim's tempered steel spring clips firmly holding trim in place.

Lamp angle position indicator is readily viewed. During relamping, lamp aim is always maintained.

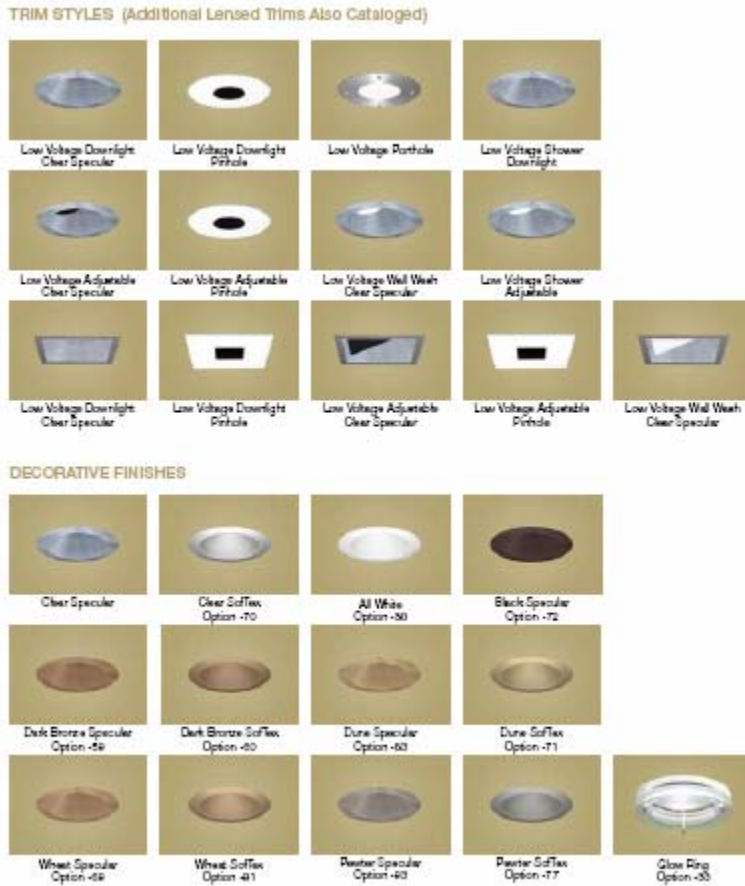
Lamp socket is securely mounted to aluminum bracket. Damage due to "hanging" sockets is eliminated and lamp heat is drawn away from socket.

##### COMBINATION SHROUD FOR HEAT CONTROL AND AESTHETICS

Specular black aluminum combination shroud moves with lamp and combined with view shield prevents visualization of fixture interior. The shroud performs two additional unique and important design functions. First, lamp is surrounded by the upper portion of the shroud reflecting lamp heat through the fixture aperture, keeping internal temperatures cooler. Second, unsightly red lamp glow into the fixture's interior is eliminated.



**5) Wide selection of round and square trim styles and finishes.**



**6) Sample cut sheets attached.**

Please call for information .

**dla**  
Diversified Lighting Associates

**IRR-04021**  
**IRR-04022 - Type IC**

**4" 1 MR16 75 WATT MAXIMUM**  
**4" 1 MR16 50 WATT MAXIMUM**

**KIRLIN**  
*Since 1895*



# Open Appearance Lensed Wall Wash Round • Low Voltage

## Specifications

### Lamp and Optional Filter Holder

- Designed for one 12 volt MR16 lamp (by others):  
 IRR-04021: 75 watt maximum.  
 IRR-04022: 50 watt maximum.
- For filter holder and up to 2 filters, see Options.

### Lampholder

- Heat resistant GX5.3 base porcelain socket.
- 300°C rated double wipe nickel plated contacts provide secure fit and optimal conductivity.
- Securely mounted within aluminum heat sink: protects lamp base, maintains secure fit.
- Insulated lead wires suitable for 250°C operation.

### Lamp Module with Center Beam Positioning

- Produced with 25° optimal wall wash aiming angle.
- Hot aiming by hand or screwdriver provides locking adjustability from 0° to 45° in precise 1° increments.
- Full 365° locking rotational disk indexed for optimal lamp-trim position.
- Black concealment shroud screens fixture interior.
- All aluminum for maximum heat dissipation and cool operation of entire lamp-socket-trim module.

### WhisperPack™ Encapsulated Transformer

- Exclusive WhisperPack™ isolates and envelops transformer with proprietary heat and sound absorbing material.
- Provides longer life and cooler, quieter operation. Easily accessible through ceiling aperture.
- Electronic dimmable stepdown (120V/12V) 90°C AC transformer. See Options for magnetic or toroidal versions and for 277 volt operation.

### Trim

- Specular clear self-flanged angle cut cone with frosted linear lens on top. Optional finishes, colors.
- Positioned at 25°.

### Acrylic Enameled Aluminum Housing

- Rustproof and corrosion resistant: Exceeds 1000 hour ASTM 5% salt spray test.
- IRR-04021: Shallow depth fits restricted plenums.
- IRR-04022: Dual housing design includes air chamber for maximum heat dissipation.
- Cool operation: Extends life of all components.
- Entire luminaire easily serviced through aperture.
- Built-in plaster flange.
- For Air Tight or Top Access, see Options.

### Outlet Box and Thermal Protection

- UL listed J-box with insulated removable cover. Prewired 14GA (NEC) with 1/2" and 3/4" knockouts.
- Thermal protector (per current NEC) provides automatic cut-off if rated temperature / wattage (Type IC) is exceeded.

### Installation

- Recesses indoor or outdoor in covered locations.
- Accommodates ceilings up to 1 1/4" thick.
- Hardware provided suitable for grid or wood joist ceilings with spacing from 14 1/8" to 25 5/8" with 5/8" vertical adjustability.

### UL, C-UL (Canada) Listings

- Wet, damp or dry locations, covered ceilings.
- IRR-04022 Type IC. Approved for direct contact with insulation.
- Through-branch conductors (6 #12 AWG 90°C; Type IC: 4 #12 AWG 90°C).

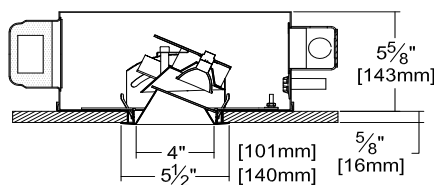
### Three Year Limited Warranty

- Complete standard fixture.



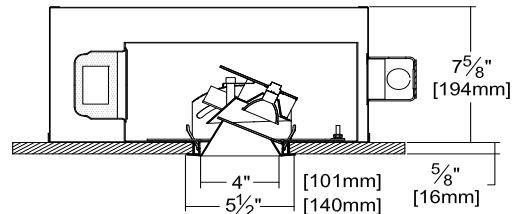
## Dimensions - Installed Fixture

**IRR-04021**



Ceiling  
Cut-out  
5" Dia.

**IRR-04022: Type IC**



## Options†

### Transformer, Wattage and Voltage

- 58 For 277 volt line input.
- MG Magnetic (conventional) transformer instead.
- TD Toroidal magnetic transformer instead.

### Trims

- 30 All white acrylic enameled cone.
- 31 White acrylic enameled cone flange.
- 32 White oversize trim ring. Specify O.D.
- 45 Gasket between trim flange and ceiling.
- 46 Gasket between trim and lens.
- 59 Dark Bronze specular self-flanged cone.
- 60 SofTex Dark Bronze self-flanged cone.
- 63 Dune specular self-flanged cone.

- 69 Wheat specular self-flanged cone.
- 70 SofTex Clear self-flanged cone.
- 71 SofTex Dune self-flanged cone.
- 72 Black specular self-flanged cone.
- 77 SofTex Pewter self-flanged cone.
- 79 Collar for ceilings up to 2 5/8" or consult factory.
- 91 SofTex Wheat self-flanged cone.
- 93 Pewter specular self-flanged cone.
- 94 Custom color/finish. Specify. Consult factory.

### Filter Holder / Filters (Specify 1 or 2)

- FL Filter holder with up to two filter capacity.
- AM Amber filter.
- CL Clear tempered glass filter.
- DP Dichroic Peach filter.
- GE Green / Botanical filter.

- HX Hexcel louver.
- LN Linear glass filter.
- MB Medium Blue filter.
- MP Softening microprismatic filter.
- PF Crystal prismatic filter.
- PK Pink / Rose filter.
- UF Ultraviolet filter.
- XF Filter other than shown. Specify make/model.

### Top Access

- TA For IRR-04021 only. For servicing from above.

### Other

- 99 Special modification. Consult factory.
- AT Air tight version. Exceeds ASTM E283 restricted airflow of 2 CFM maximum.

**IRR-04005**  
**IRR-04006 - Type IC**

**4" 1 MR16 75 WATT MAXIMUM**  
**4" 1 MR16 50 WATT MAXIMUM**

**KIRLIN**  
*Since 1895*

# Open Appearance Lensed Downlights

## Round • Low Voltage



### Specifications

#### Lamp and Optional Filter Holder

- Designed for one 12 volt MR16 lamp (by others):  
 IRR-04005: 75 watt maximum.  
 IRR-04006: 50 watt maximum.
- For filter holders and up to 2 filters, see Options.

#### Lampholder

- Heat resistant GX5.3 base porcelain socket.
- 300°C rated double wipe nickel plated contacts provide secure fit and optimal conductivity.
- Securely mounted within aluminum heat sink: protects lamp base, maintains secure fit.
- Insulated lead wires suitable for 250°C operation.

#### Lamp Module

- All aluminum for maximum heat dissipation and cool operation of entire lamp-socket-trim module.

#### WhisperPack™ Encapsulated Transformer

- Exclusive WhisperPack™ isolates and envelops transformer with proprietary heat and sound absorbing material.
- Provides longer life and cooler, quieter operation. Easily accessible through ceiling aperture.
- Electronic dimmable stepdown (120V/12V) 90°C AC transformer. See Options for magnetic or toroidal versions and for 277 volt operation.

#### Trim

- Specular, clear aluminum self-flanged downlight cone with tempered clear lens on top. Optional lenses, SofTex finishes, colors, Glow Rings and white flange versions available.

#### Acrylic Enameled Aluminum Housing

- Rustproof and corrosion resistant: Exceeds 1000 hour ASTM 5% salt spray test.
- IRR-04005: Shallow depth fits restricted plenums.
- IRR-04006: Dual housing design includes air chamber for maximum heat dissipation.
- Cool operation: Extends life of all components.
- Entire luminaire easily serviced through aperture.
- Built-in plaster flange.
- For Air Tight or Top Access, see Options.

#### Outlet Box and Thermal Protection

- UL listed J-box with insulated removable cover. Prewired 14GA (NEC) with 1/2" and 3/4" knockouts.
- Thermal protector (per current NEC) provides automatic cut-off if rated temperature / wattage (Type IC) is exceeded.

#### Installation

- Recesses indoor or outdoor in covered locations.
- Accommodates ceilings up to 1 1/4" thick.
- Hardware provided suitable for grid or wood joist ceilings with spacing from 14 1/8" to 25 5/8" with 5/8" vertical adjustability.
- For adjustable version see IRR-04017, IRR-04018.

#### UL, C-UL (Canada) Listings

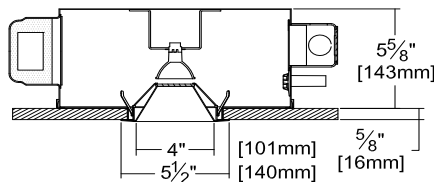
- Wet, damp or dry locations, covered ceilings.
- IRR-04006 Type IC. Approved for direct contact with insulation.
- Through-branch conductors (6 #12 AWG 90°C; Type IC: 4 #12 AWG 90°C).

#### Three Year Limited Warranty

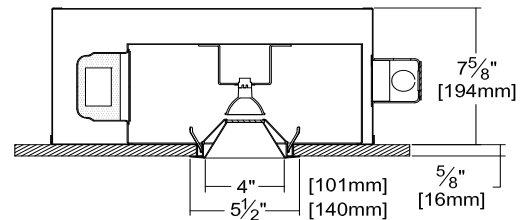
- Complete standard fixture.

### Dimensions - Installed Fixture

**IRR-04005**



**IRR-04006: Type IC**



Ceiling  
 Cut-out  
 5" Dia.

**For adjustable version see IRR-04017 and IRR-04018**

### Options†

#### Transformer, Wattage and Voltage

- 58 For 277 volt line input.
- MG Magnetic (conventional) transformer instead.
- TD Toroidal magnetic transformer instead.

#### Lenses - Mounted Above Trim

- 15 C#73 prismatic tempered spread lens.
- FP Frosted prismatic tempered lens
- ML Microprismatic clear tempered lens.

#### Trims

- 30 All white acrylic enameled cone.
- 31 White acrylic enameled cone flange.
- 32 White oversize trim ring. Specify O.D.
- 33 Decorative tempered glass Glow Ring suspended trim assembly. See Page 9.
- 45 Gasket between trim flange and ceiling.

- 46 Gasket between trim and lens.
- 59 Dark Bronze specular self-flanged cone.
- 60 SofTex Dark Bronze self-flanged cone.
- 63 Dune specular self-flanged cone.
- 69 Wheat specular self-flanged cone.
- 70 SofTex Clear self-flanged cone.
- 71 SofTex Dune self-flanged cone.
- 72 Black specular self-flanged cone.
- 77 SofTex Pewter self-flanged cone.
- 79 Collar for ceilings up to 2 5/8" or consult factory.
- 91 SofTex Wheat self-flanged cone.
- 93 Pewter specular self-flanged cone.
- 94 Custom color/finish. Specify. Consult factory.

#### Filter Holder / Filters (Specify 1 or 2)

- FL Filter holder on lamp or see Option -TF.
- AM Amber filter.
- CL Clear tempered glass filter.
- DP Dichroic Peach filter.

- GE Green / Botanical filter.

- HX Hexcel louver.
- LN Linear glass filter.
- MB Medium Blue filter.
- MP Softening microprismatic filter.
- PF Crystal prismatic filter.
- PK Pink / Rose filter.
- TF Trim mounted filter holder instead.
- UF Ultraviolet filter.
- XF Filter other than shown. Specify make/model.

#### Top Access

- TA For IRR-04005 only. For servicing from above.

#### Other

- 99 Special modification. Consult factory.
- AT Air tight version. Exceeds ASTM E283 restricted airflow of 2 CFM maximum.

**IRS-04031**  
**IRS-04032 - Type IC**

**4" 1 MR16 75 WATT MAXIMUM**  
**4" 1 MR16 50 WATT MAXIMUM**

**KIRLIN**  
*Since 1895*



# Open Appearance Lensed Shower Downlights • Square • Low Voltage

## Specifications

### Lamp and Optional Filter Holder

- Designed for one 12 volt MR16 lamp (by others):  
 IRS-04031: 75 watt maximum.  
 IRS-04032: 50 watt maximum.
- For filter holder and up to 2 filters, see Options.

### Lampholder

- Heat resistant GX5.3 base porcelain socket.
- 300°C rated double wipe nickel plated contacts provide secure fit and optimal conductivity.
- Securely mounted within aluminum heat sink: protects lamp base, maintains secure fit.
- Insulated lead wires suitable for 250°C operation.

### Lamp Module

- All aluminum for maximum heat dissipation and cool operation of entire lamp-socket-trim module.

### WhisperPack™ Encapsulated Transformer

- Exclusive WhisperPack™ isolates and envelopes transformer with proprietary heat and sound absorbing material.
- Provides longer life and cooler, quieter operation. Easily accessible through ceiling aperture.
- Electronic dimmable stepdown (120V/12V) 90°C AC transformer. See Options for magnetic or toroidal versions and for 277 volt operation.

### Electrically Isolated Trim

- Specular, clear aluminum self-flanged, gasketed downlight square with tempered microprismatic lens on top. Optional lenses, SofTex finishes, colors and white flange versions available.
- Non-conductive vinyl coated trim spring clips minimize risk of electric shock.

### Acrylic Enamelled Aluminum Housing

- Rustproof and corrosion resistant: Exceeds 1000 hour ASTM 5% salt spray test.
- IRS-04031: Shallow depth fits restricted plenums.
- IRS-04032: Dual housing design includes air chamber for maximum heat dissipation.
- Cool operation: Extends life of all components.
- Entire luminaire easily serviced through aperture.
- Built-in plaster flange.
- For Air Tight or Top Access, see Options.

### Outlet Box and Thermal Protection

- UL listed J-box with insulated removable cover. Prewired 14GA (NEC) with 1/2" and 3/4" knockouts.
- Thermal protector (per current NEC) provides automatic cut-off if rated temperature / wattage (Type IC) is exceeded.

### Installation

- Recesses indoor or outdoor in covered locations.
- Accommodates ceilings up to 1 1/4" thick.
- Hardware provided suitable for grid or wood joist ceilings with spacing from 14 1/8" to 25 7/8" with 5/8" vertical adjustability.
- For adjustable version see IRS-04041, IRS-04042.

### UL, C-UL (Canada) Listings

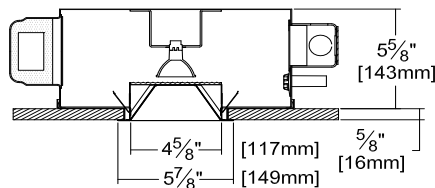
- Wet, damp or dry locations, covered ceilings.
- IRS-04032 Type IC. Approved for direct contact with insulation.
- Through-branch conductors (6 #12 AWG 90°C; Type IC: 4 #12 AWG 90°C).

### Three Year Limited Warranty

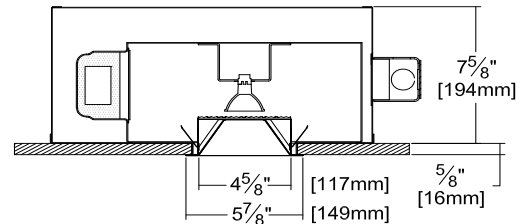
- Complete standard fixture.

## Dimensions - Installed Fixture

**IRS-04031**



**IRS-04032: Type IC**



For adjustable version see IRR-04041 and IRR-04042

## Options†

### Transformer, Wattage and Voltage

- 58 For 277 volt line input.
- MG Magnetic (conventional) transformer instead.
- TD Toroidal magnetic transformer instead.

### Lenses - Mounted Above Trim

- 15 C#73 prismatic tempered spread lens.
- 28 UV absorbing clear tempered lens.
- FP Frosted prismatic tempered lens

### Trims

- 30 All white acrylic enamelled finish.
- 31 White acrylic enamelled trim flange.
- 32 White oversize trim extender. Specify size.
- 46 Gasket between trim and lens.
- 59 Dark Bronze specular self-flanged trim.

- 60 SofTex Dark Bronze self-flanged trim.
- 63 Dune specular self-flanged trim.
- 69 Wheat specular self-flanged trim.
- 70 SofTex Clear self-flanged trim.
- 71 SofTex Dune self-flanged trim.
- 72 Black specular self-flanged trim.
- 77 SofTex Pewter self-flanged trim.
- 79 Collar for ceilings up to 2 5/8" or consult factory.
- 91 SofTex Wheat self-flanged trim.
- 93 Pewter specular self-flanged trim.
- 94 Custom color/finish. Specify. Consult factory.

### Filter Holder / Filters (Specify 1 or 2)

- FL Filter holder with up to two filter capacity.
- AM Amber filter.
- CL Clear tempered glass filter.
- DP Dichroic Peach filter.

- GE Green / Botanical filter.
- HX Hexcel louver.
- LN Linear glass filter.
- MB Medium Blue filter.
- MP Softening microprismatic filter.
- PF Crystal prismatic filter.
- PK Pink / Rose filter.
- UF Ultraviolet filter.
- XF Filter other than shown. Specify make/model.

### Top Access

- TA For IRS-04031 only. For servicing from above.

### Other

- 99 Special modification. Consult factory.
- AT Air tight version. Exceeds ASTM E283 restricted airflow of 2 CFM maximum.