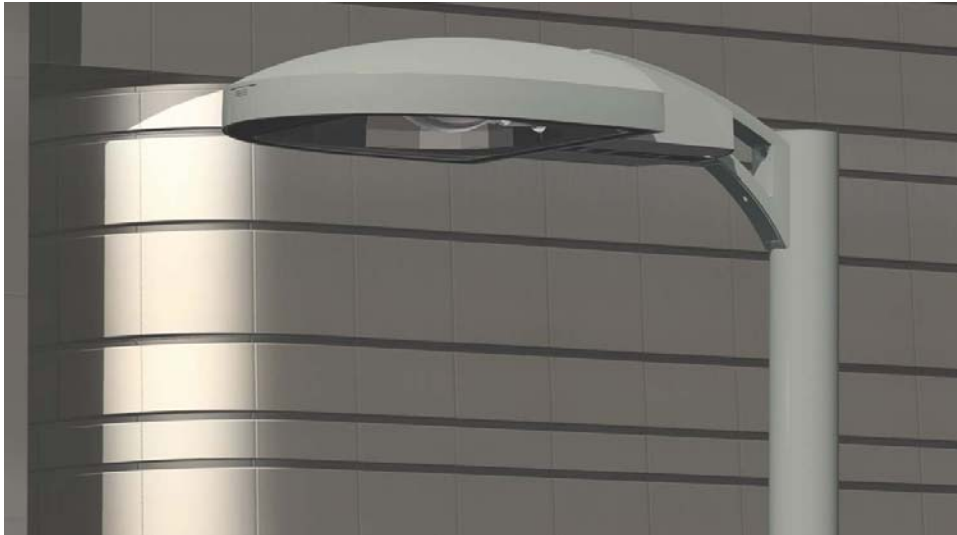


A new product update, from...dla

Kim Lighting introduces Warp9; the first outdoor luminaire designed not to be seen.



1) The Warp9's shape mimics the profile of the sky to reduce its visual mass, allowing building architecture to remain dominant (small version is only 4-1/8" high).

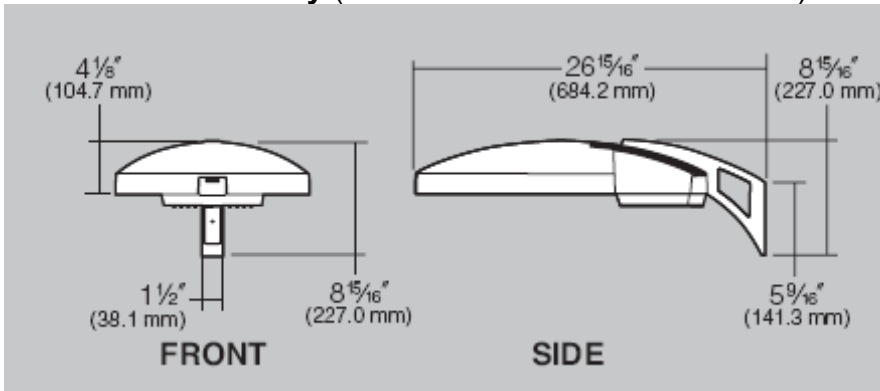


2) Stealth gray finish is available, which further reduces visual mass, allowing the luminaire to blend in with its surroundings.

3) Quality Kim features include Frameless Glass Door, new 95% reflective alzak reflector, and separate optical and ballast chambers.



4) All models meet full cut-off classification and have some of the lowest EPA's in the industry (small version has an EPA of .52).



Here is the link to the brochure: <http://www.kimlighting.com/kl-2007%20-%20Warp9%20Catalog.pdf>

Please call with any questions.

dla

Diversified Lighting Associates